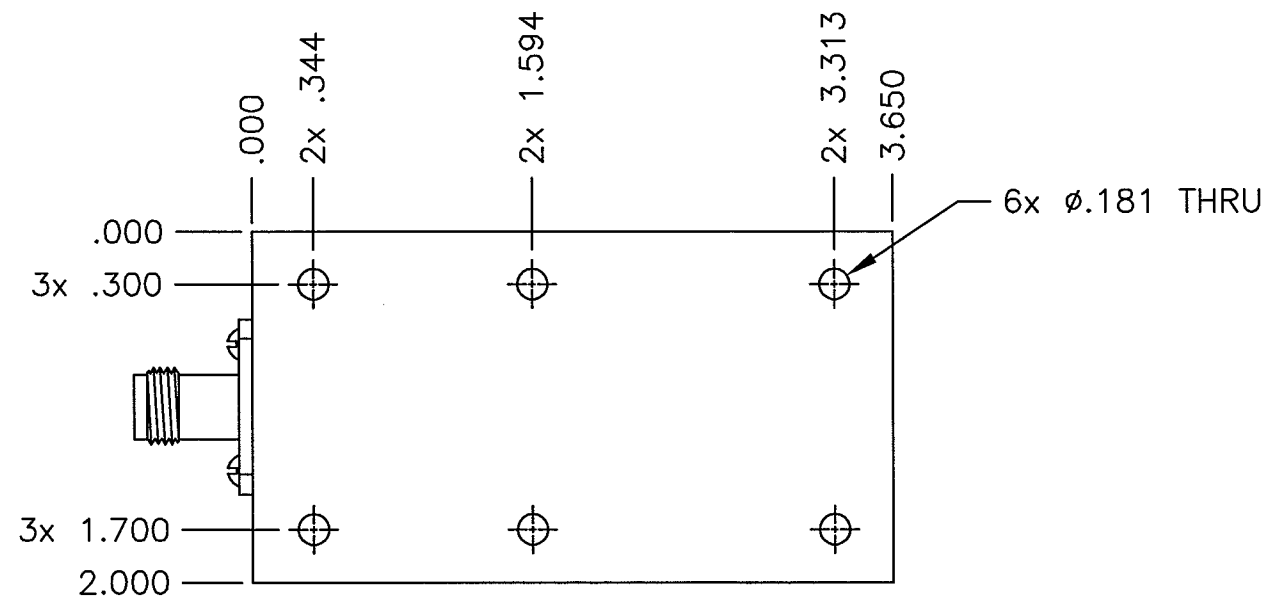
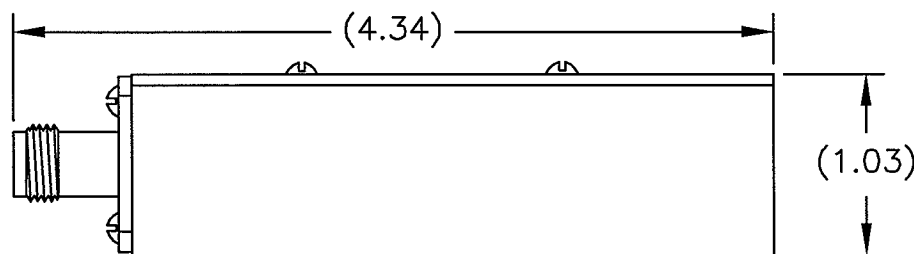
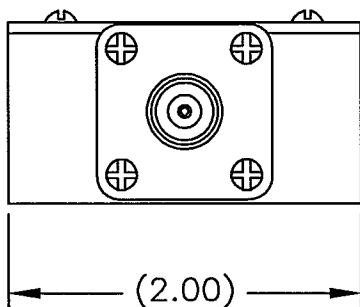
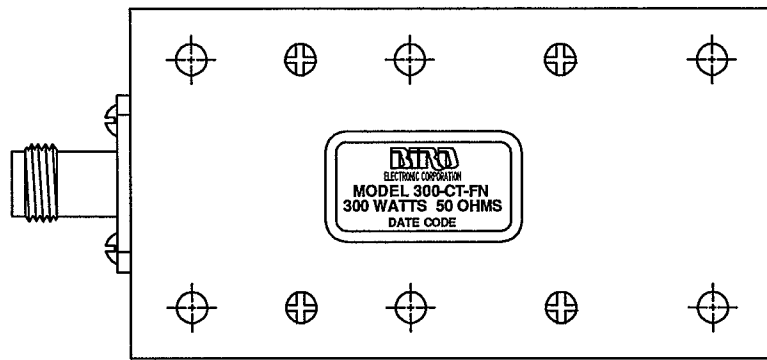



DWG NO. 300-CT-FT  
SHEET 1  
REV A

SPECIFICATIONS:  
 IMPEDANCE: 50 OHMS NOMINAL  
 POWER RATING: 300 W AVG.  
 - BASED ON MAX. HOUSING TEMP.  
 OF 100°C OR LESS  
 VSWR: DC TO 1GHz AT 1.10:1 MAX.  
 1GHz TO 2.5GHz AT 1.25:1 MAX.  
 CONNECTOR: TNC FEMALE  
 FINISH: BODY-SILVER PLATED  
 CONNECTOR-SILVER PLATED

REVISIONS				
ZONE	REV	DESCRIPTION	DATE	APPROVED
	A	CONVERT TO BEC FORMAT	DMR 5-27-03	<i>MRV</i>



DIMENSIONS HEREON ARE FOR CUSTOMER CONVENIENCE AND REFERENCE ONLY. TOLERANCE TO BE APPLIED ONLY WHERE INDIVIDUALLY STATED ON THE RESPECTIVE DIMENSION. -DO NOT SCALE DRAWING-

UNLESS OTHERWISE SPECIFIED DIMENSIONS ARE IN INCHES TOLERANCES ARE:		MILLIMETERS .X = ±.4 .XX = ±.12		THIS DRAWING IS THE PROPERTY OF THE BIRD ELECTRONIC CORPORATION. THE DESIGNS AND SPECIFICATIONS DISCLOSED HEREON ARE PROPRIETARY AND SHALL NOT BE REPRODUCED, NOR COPIED, NOR USED AS THE BASIS FOR THE MANUFACTURE OR SALE OF APPARATUS OR DEVICES WITHOUT THEIR EXPRESS WRITTEN CONSENT.				 <b>BIRD Electronic Corporation</b> Cleveland (Solon) Ohio USA					
FRACTIONS ± 1/64		DECIMALS .XX = ±.010 .XXX = ±.005		ANGLES ± 30°		DO NOT SCALE DRAWING		APPROVALS DRAW: D.M.RINK CHECKED: APPROVED: <i>MRV</i>		DATE: 5-27-03 DATE: 6-15-03 METHOD: AUTOCAD		TITLE: TERMINATION, CONDUCTION COOLED TNC FEMALE, 300W	
MATERIAL:		FINISH:		SIZE: B		FSCM NO.: 70998		DWG. NO.: 300-CT-FT		REV: A			
				SCALE: 1:1		COMM CODE: LD1		SHEET: 1 OF 1					